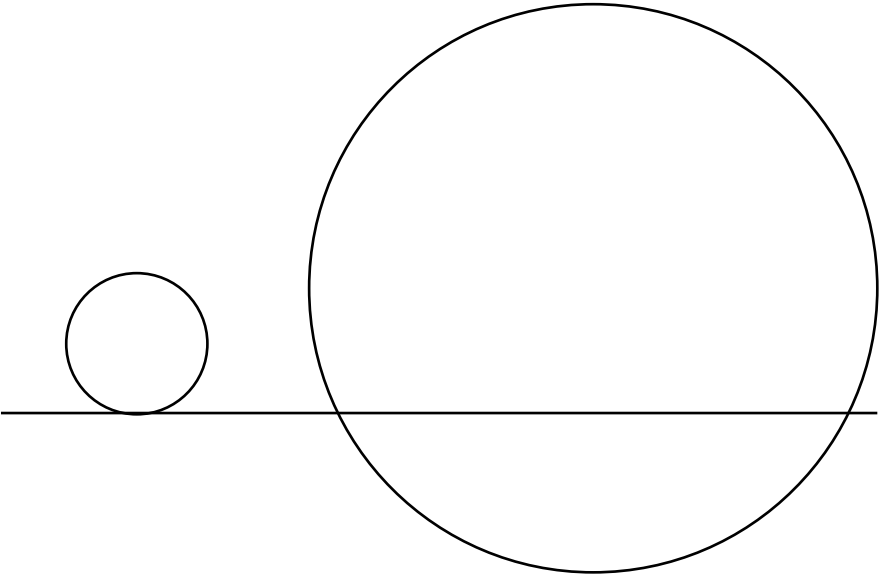


# L3

desk lamp

**rlon**



L3 is the geometry of an energetic system.

Both illuminant and interface are protagonists of a geometric staging.

L3 tells one story of the journey to the center.

Of separation and oneness.

Of symmetry and tension.

L3 plays with gravitational fields.

It is a bridge from the outside to the inside.



# congratulations on your L3 desk lamp

This guide provides you with instructions on how to setup and maintain your lamp as well as safety notes and legal informations.

# technical details

## body

---

dimensions	270 x 290 x 240 mm
------------	--------------------

---

## power supply

---

wattage	< 36 w
---------	--------

---

voltage	220 v
---------	-------

---

cable length	2 m
--------------	-----

---

## illuminant

---

light ring	T5 G10q
------------	---------

---

diameter of light ring	270 mm
------------------------	--------

---

wattage	32 w
---------	------

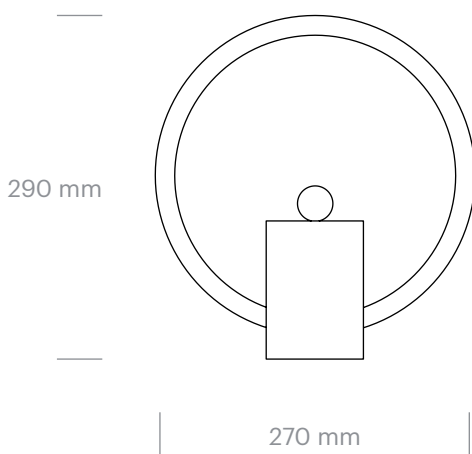
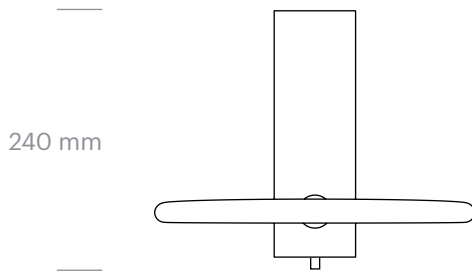
---

light temperature	2700 k
-------------------	--------

---

luminous flux	< 2400 lm
---------------	-----------

---



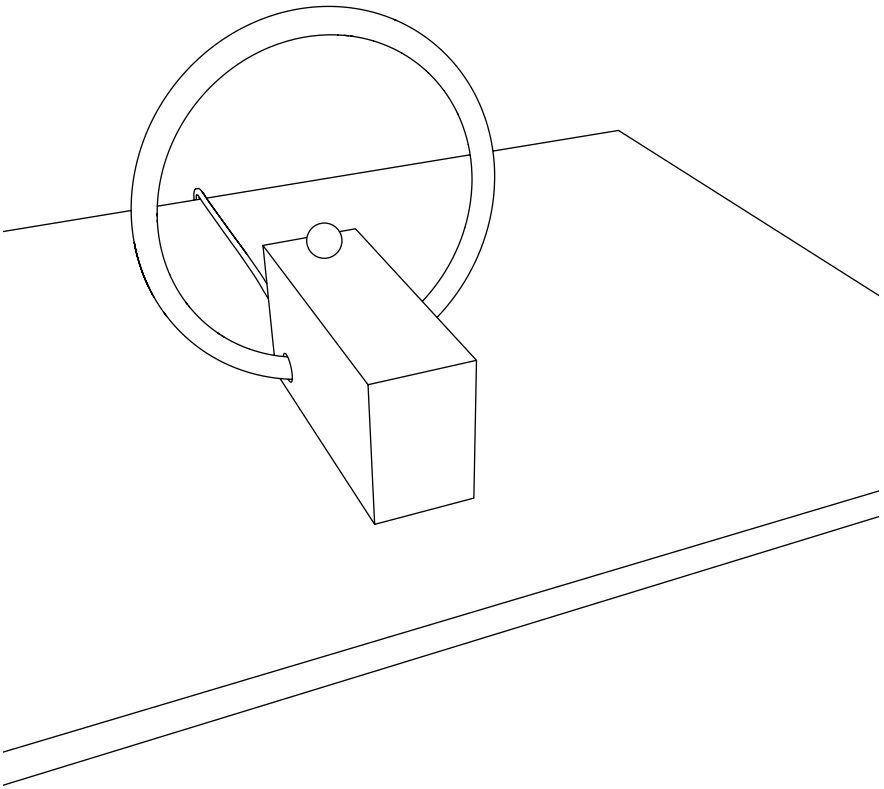
# instructions how to set up and change the illuminant

The following instructions apply both for the first setup of the lamp and a later change of the illuminant.



Caution: Before installing and whenever changing the illuminant, ensure that the power line is disconnected!



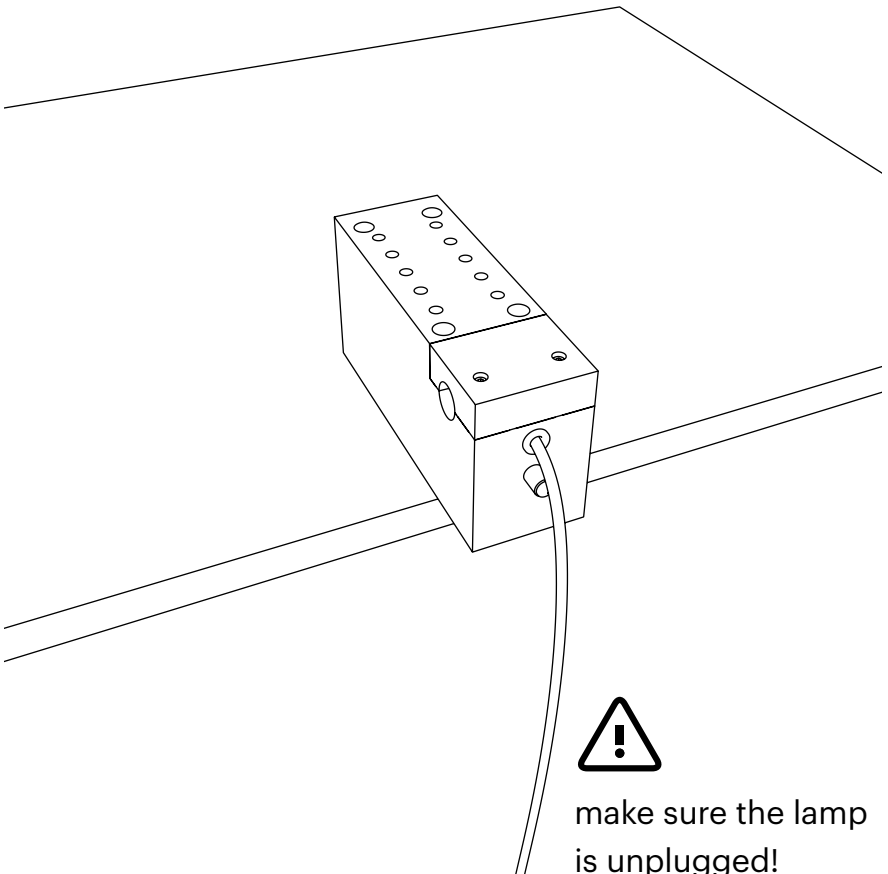


1

Remove the metal ball from the body and put it aside.

Turn the body of the lamp upside down and place it on the edge of a table. Make sure the body is slightly over the edge, so that the light ring will not touch the table.

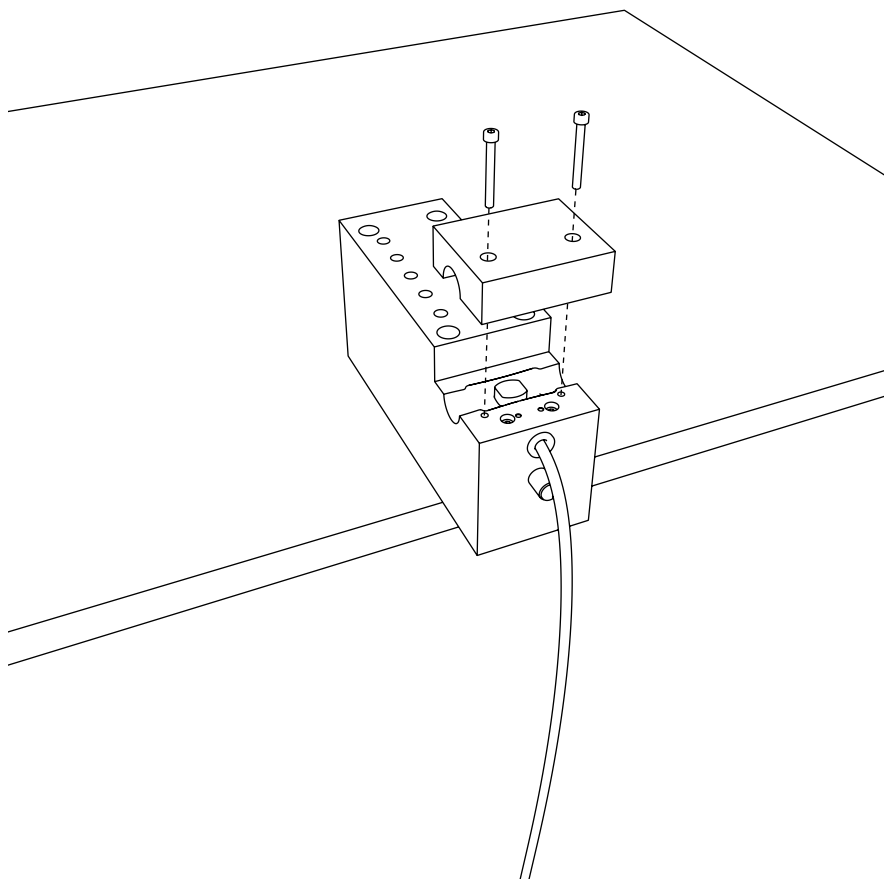
To avoid possible scratches on the body, put a soft fabric or paper underneath the body.



- 2** Open the two rear socket screws at the end of the body with the provided socket screw key. Remove the holding block.



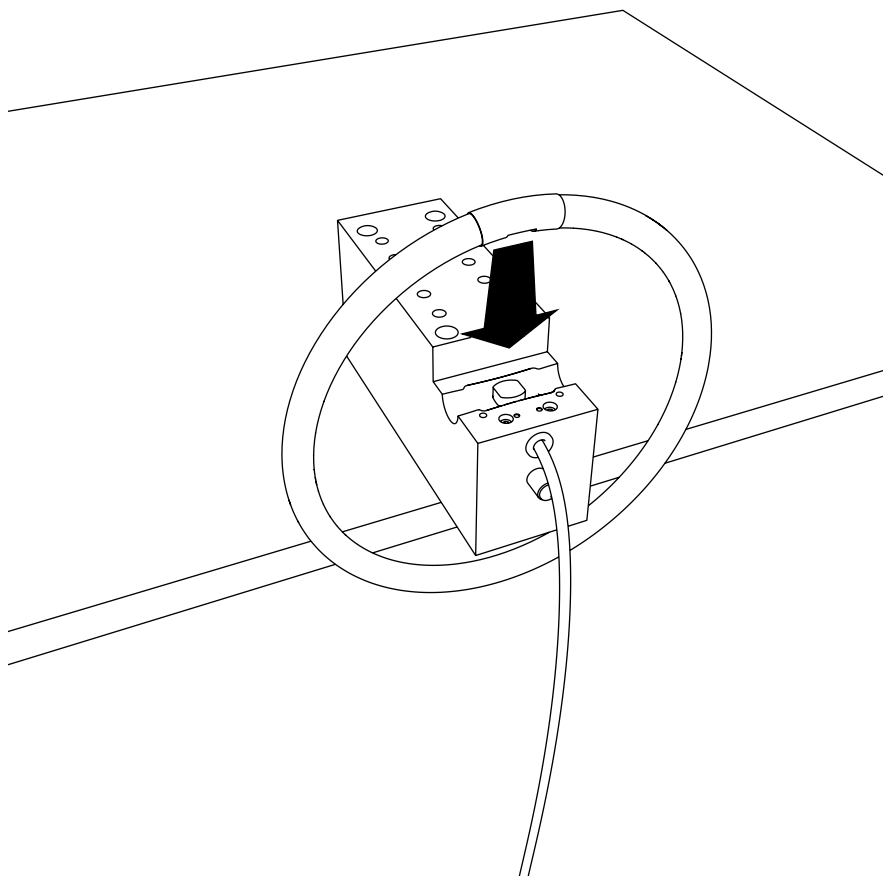
Caution: Remove only the two rear socket screws as shown in the drawing below.



**3**

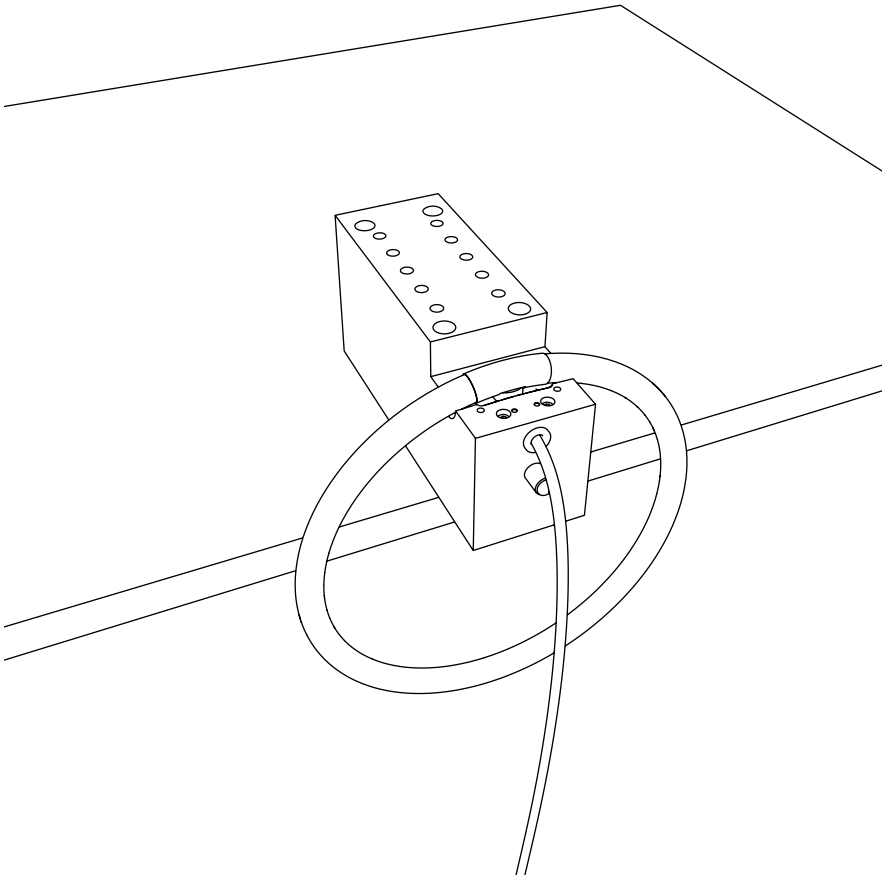
Push the light ring from the top into the socket.

Caution: The L3 lamp only works with a t5 light ring with 27cm diameter and a g10q socket.



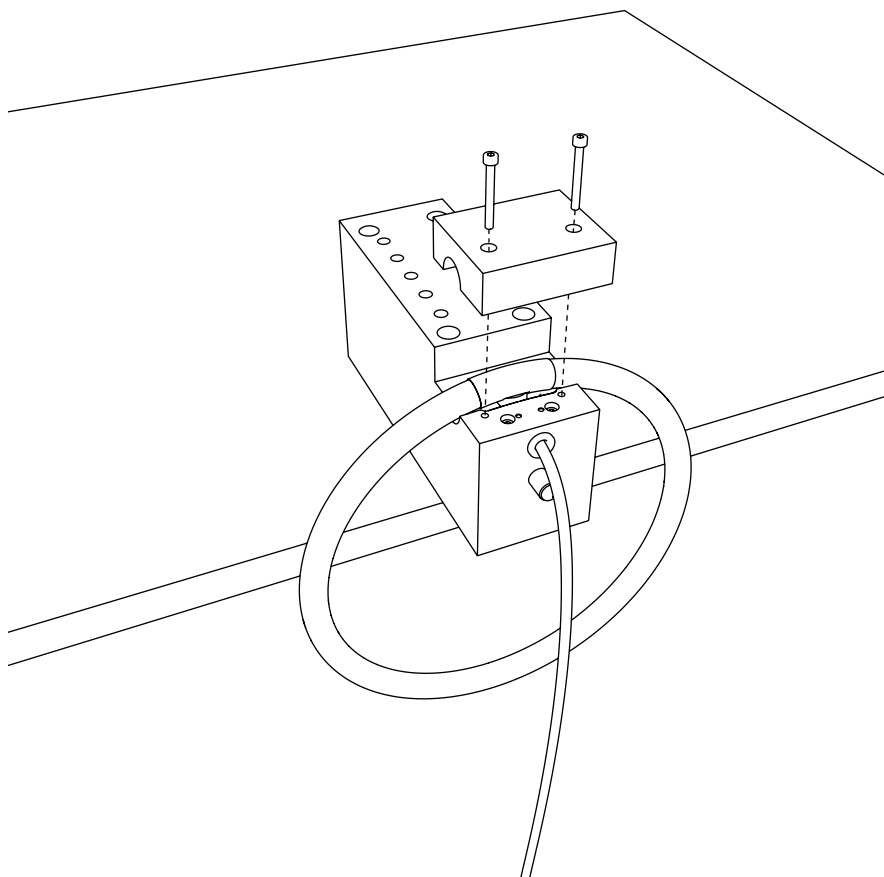
**4**

Make sure the four pins of the light ring have connection and the ring sits smoothly in the housing.



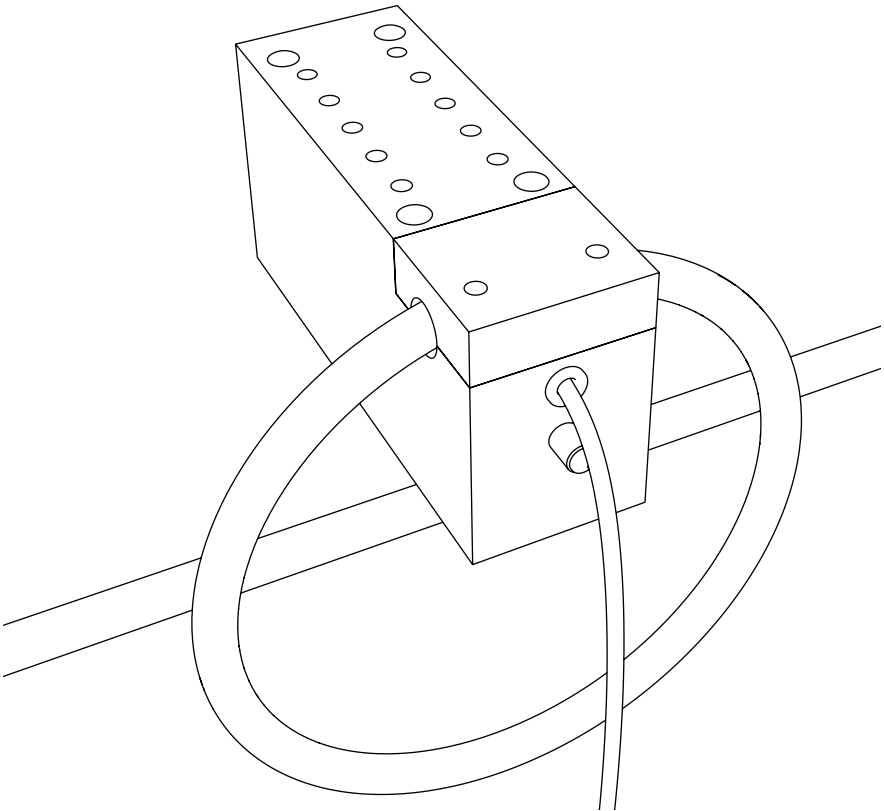
**5**

Attach the holding block again and fix it with the two socket screws. Verify that that the light ring sits in a 90 degree angle to the body.



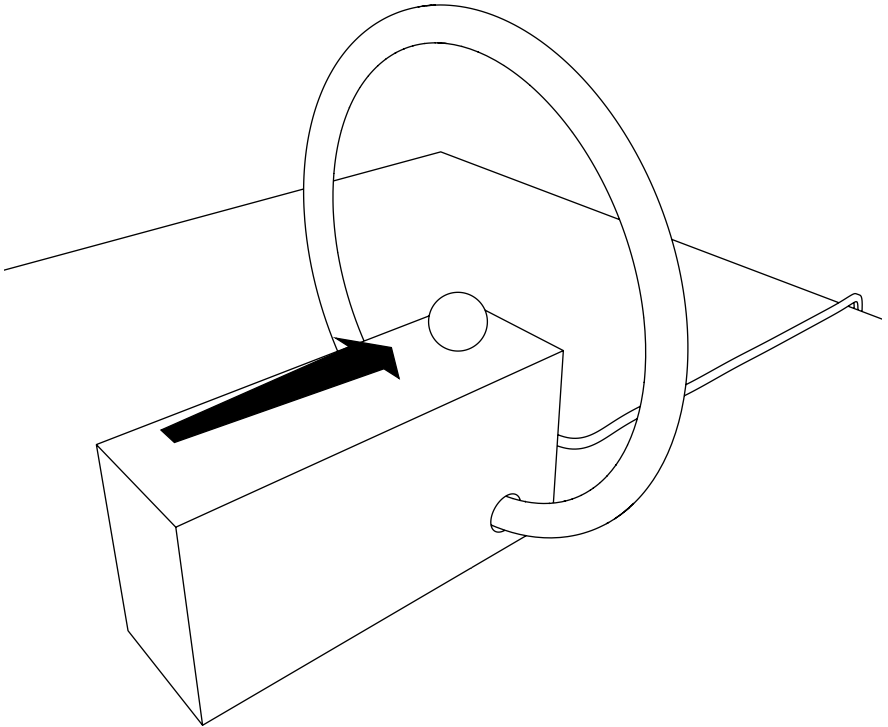
**6**

Tighten the screws firmly, so that there is no gap between the holding block and the body of the lamp.



**7**

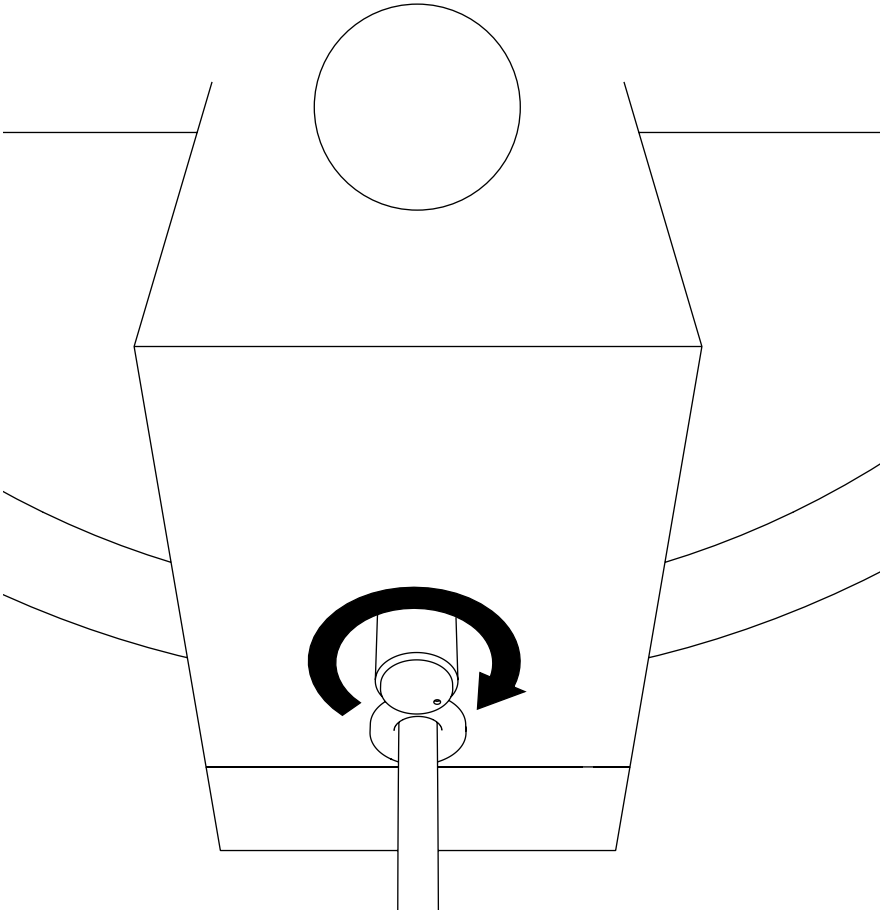
Turn over the lamp and connect the power line.  
Position the metall ball on the ON position – in  
the center of the light ring.





**8**

After first setup and after each change of illuminant, warm up the light ring by rotating the dimmer knob fully to the right for one minute before adjusting the desired brightness.



## SAFETY NOTES AND LEGAL INFORMATIONS

### WARNING!

The safety of this lamp can only be guaranteed if these instructions are observed, during both installation and use. Please retain these safety instructions.

### REMARKS

- ~ When installing and whenever changing the illuminant, ensure that the power supply has been switched off.
- ~ The appliance may not be modified or tampered with in another way than the one necessary to change the illuminant.
- ~ Any other modification may compromise safety causing the appliance to become dangerous. **rion** declines all responsibility for products that are modified.
- ~ Should the external trailing cable get damaged, it must be replaced by **rion** in order to avoid any danger.
- ~ The product must be thrown out in a different manner than with the urban trashes.

### CLEANING INSTRUCTIONS

Use only a soft cloth to clean the appliance, dampened with water and soap or alcohol if needed for resistant dirt. Before cleaning the appliance, ensure that the power supply has been switched off.

For any further questions regarding you product, please get in touch with us: [support@rion.com](mailto:support@rion.com).

# SICHERHEITSHINWEISE UND RECHTLICHE INFORMATIONEN

## ACHTUNG!

Wir garantieren nur dann für die Sicherheit der Leuchte, wenn diese Anweisungen sowohl bei der Installation als auch beim Gebrauch genau beachtet werden. Bitte bewahren Sie diese Anweisungen auf.

## BEMERKUNGEN

- ~ Bei der Installation und beim Wechsel des Leuchtmittels ist sicherzustellen, daß die Anlage vom Netz getrennt ist.
- ~ Der Apparat darf auf keinen Fall verändert oder anderweitig geöffnet werden, als zum Wechsel des Leuchtmittels notwendig.
- ~ Jede Veränderung desselben kann die Sicherheit in Frage stellen und somit gefährlich werden. **r1on** lehnt jede Verantwortung für unsachgemäß behandelte Produkte ab.
- ~ Falls das flexible äußere Kabel beschädigt wird, muß es von **r1on** ersetzt werden, um Gefahren zu vermeiden.
- ~ Das Produkt muss getrennt vom Stadtmüll entsorgt werden.

## REINIGUNGSVORSCHRIFTEN

Bei der Reinigung der Leuchte bitte ausschließlich weiche Tücher verwenden und diese mit Wasser und Seife oder etwas Alkohol anfeuchten. Stellen Sie vor jeder Reinigung sicher, daß die Anlage vom Netz getrennt ist.

Für weitere Fragen zu Ihrem Produkt, kontaktieren Sie uns bitte unter [support@r1on.com](mailto:support@r1on.com).

rion GmbH  
Lobeckstraße 30-35  
10969 Berlin  
[www.rion.com](http://www.rion.com)

